

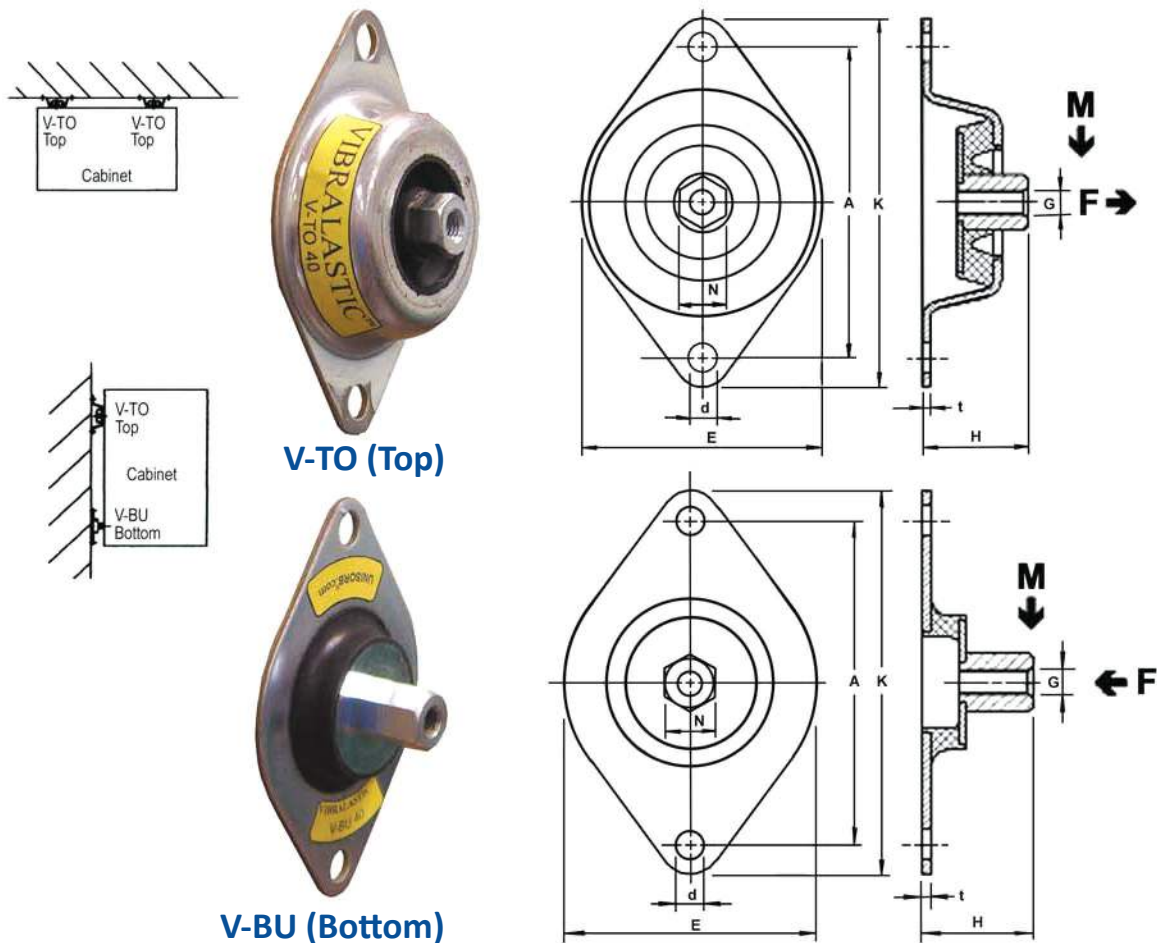


INSTALLATION SOLUTIONS

GB-0157-1.1

VIBRALASTIC™ TYPE V-TO/BU MOUNTS

These mounts are designed to be mounted vertically in such a way that the rubber section is subjected to shear loads, providing high deflection even at low loading. They come in two components. The **V-TO top mount** provides protection against tension, preventing the isolated unit from falling down in case of overloading. The Top mount can also be used to hang a box of cabinet from above by using (4) V-TO Top mounts. The **VU-bottom mount** accepts horizontal compression loads and allows vertical shear deflection. These mounts are perfect for mounting electrical cabinets and other similar units to machinery, thus isolating them from harmful vibrations caused by the host equipment.



MOUNT NUMBER	A	d	E	G	H	K	N	t	M-Max Load (kg)		F-Max Load (kg)	
									40 D.	60 D.	40 D.	60 D.
V-TO 40 TOP	96	9	75	M8	33	114	15	1.5	14	—	30	—
V-TO 60 TOP	96	9	75	M8	33	114	15	1.5	—	25	—	70
V-BU 40 BOTTOM	96	9	75	M8	33	114	15	1.5	14	—	30	—
V-BU 60 BOTTOM	96	9	75	M8	33	114	15	1.5	—	25	—	70

Dimensions are in millimeters.