

VIBRALASTIC[™] TYPE VA MOUNTS

INSTALLATION TECHNOLOGIES

For effective isolation of vibration and noise on machines with rotating elements.

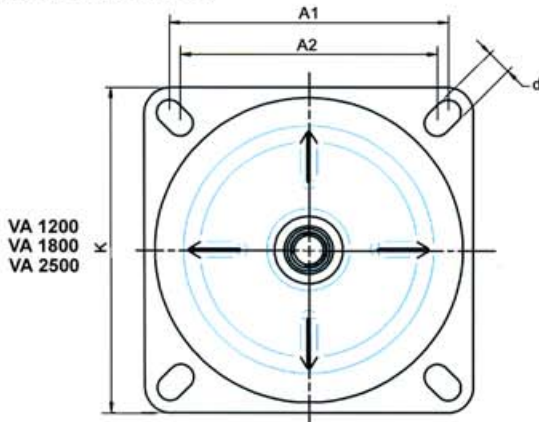
- Compressors
- Combustion Engines
- Generators
- Converters
- Pumps
- Industrial and marine gensets
- Fans

Also suitable for use with presses, punches and other workshop machines.

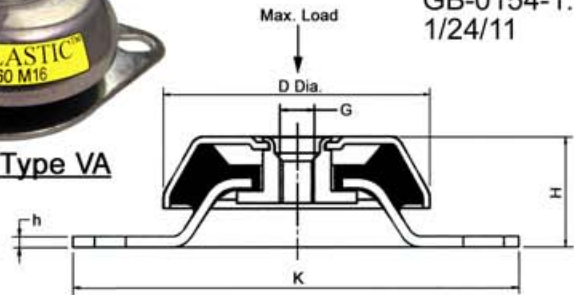


Vibralastic Type VA

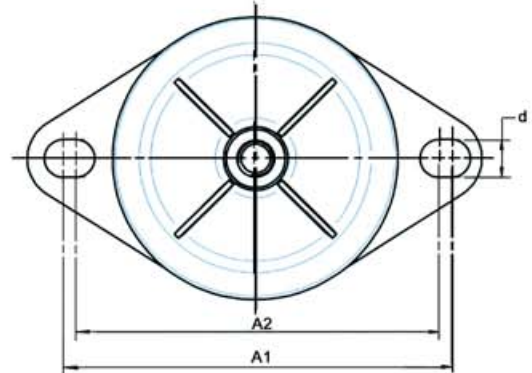
Bulletin No.
GB-0154-1.1
1/24/11



VA 1200
VA 1800
VA 2500



VA 100
VA 200
VA 350
VA 500
VA 800

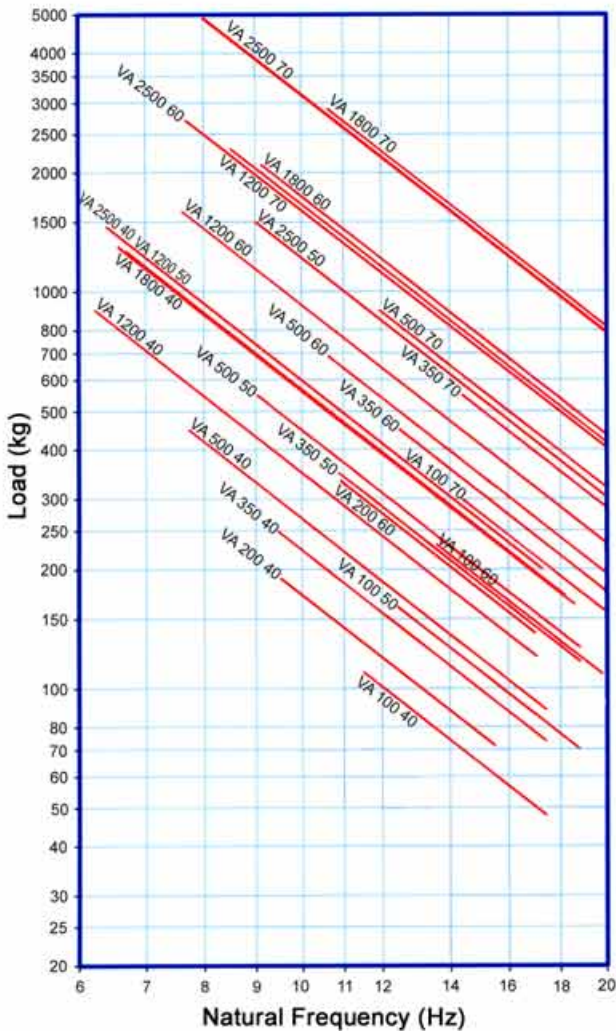


MOUNT NUMBER	A1	A2	D	G	H	K	d	h	Weight	Max. Load
VA 100 40 M10	116	106	79	M10	30	130	9	3	0.40	110
VA 100 40 M12	116	106	79	M12	30	130	9	3	0.40	110
VA 100 60 M10	116	106	79	M10	30	130	9	3	0.40	231
VA 100 60 M12	116	106	79	M12	30	130	9	3	0.40	231
VA 200 40 M10	128	117	94	M10	35	150	10	3	0.47	180
VA 200 40 M12	128	117	94	M12	35	150	10	3	0.47	180
VA 200 60 M10	128	117	94	M10	35	150	10	3	0.47	280
VA 200 60 M12	128	117	94	M12	35	150	10	3	0.47	280
VA 350 40 M12	146	133	106	M12	37	170	12.5	3.5	0.78	250
VA 350 40 M16	146	133	106	M16	37	170	12.5	3.5	0.78	250
VA 350 60 M12	146	133	106	M12	37	170	12.5	3.5	0.78	450
VA 350 60 M16	146	133	106	M16	37	170	12.5	3.5	0.78	450
VA 500 40 M16	164	150	124	M16	43	192	14	3.5	1.02	450
VA 500 60 M16	164	150	124	M16	43	192	14	3.5	1.02	690
VA 800 40 M16	188	176	145	M16	49	218	14.5	4	1.85	750
VA 800 60 M16	188	176	145	M16	49	218	14.5	4	1.85	1300
VA 1200 40 M20	140	140	161	M20	58	170	14.5	4	2.19	900
VA 1200 60 M20	140	140	161	M20	58	170	14.5	4	2.19	1600
VA 1800 40 M20	163	149	180	M20	66	192	14.5	4	3.25	1300
VA 1800 60 M20	163	149	180	M20	66	192	14.5	4	3.25	2100
VA 2500 40 M24	180	180	220	M24	105	220	17.5	6	7.40	1800
VA 2500 60 M24	180	180	220	M24	105	220	17.5	6	7.40	4100

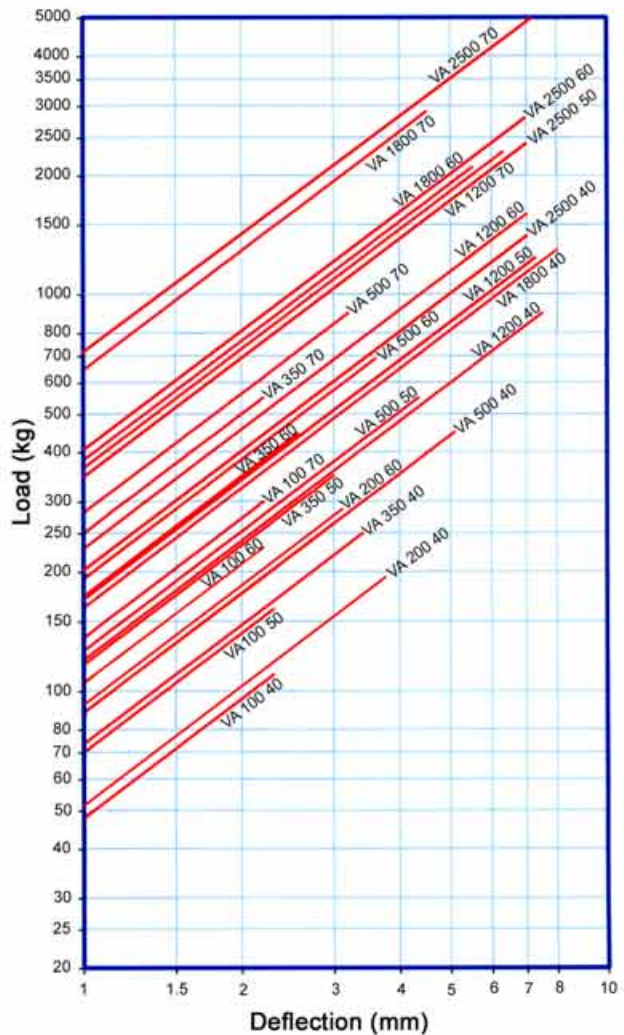
Dimensions are in millimeters. Weights and loads are in kilograms.
Other durometers are available. Contact Unisorb Engineering.

VIBRALASTIC™ TYPE VA MOUNTS

NATURAL FREQUENCY (Hz)



LOAD DEFLECTION (mm)



INSTALLATION TECHNOLOGIES

www.unisorb.com

BOX 1000, JACKSON, MI 49204-1000

888-4-UNISORB • FAX 517-764-5607

ISO-9001:2000 Certified