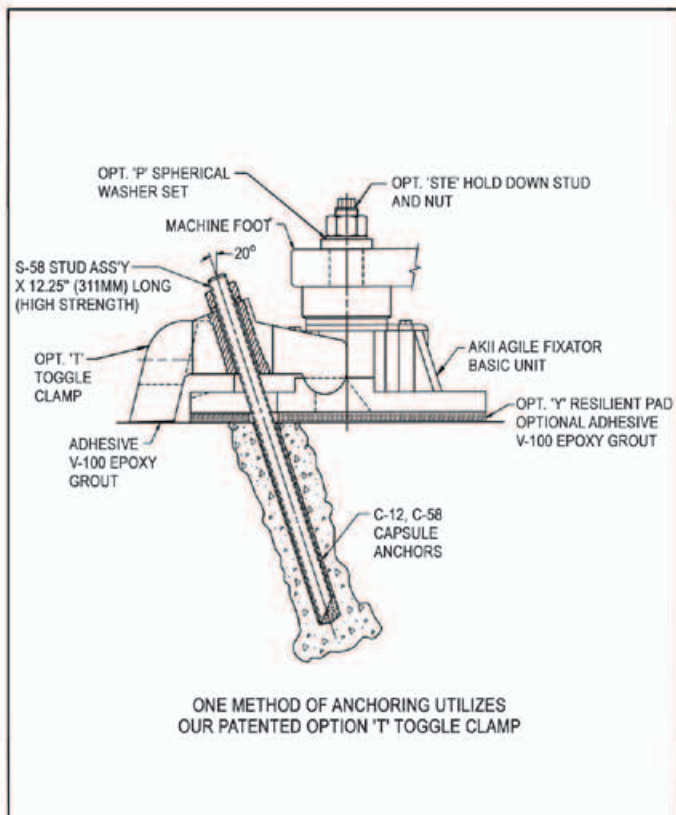
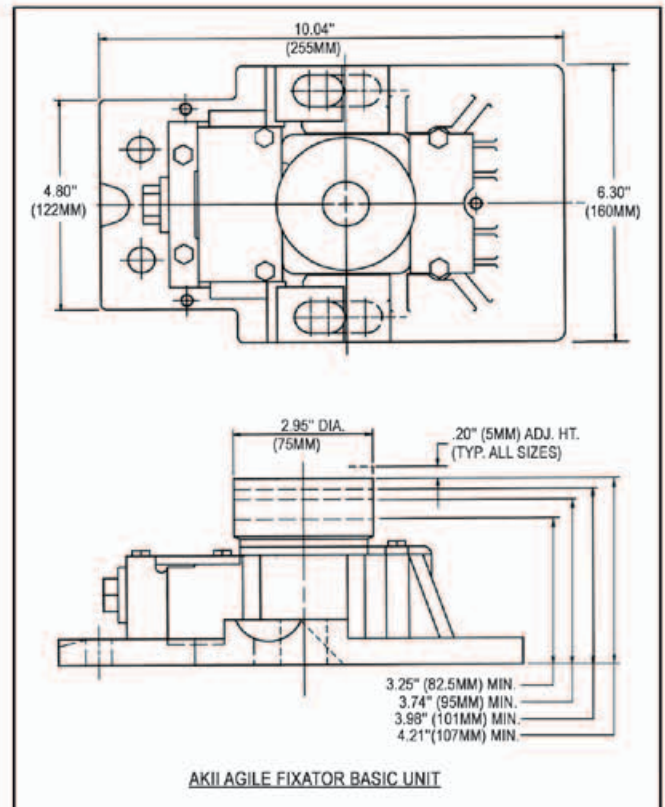


UNISORB'S Model AKII Agile Fixator has been developed specifically to meet industry's demand for a cost effective, truly "agile" machinery installation system.

The AKII Agile Fixator is intended for use in anchorless or anchored applications and offers the capability to be quickly converted from one to the other without disturbing or removing the machine base. The system can be used with resilient pads of varying stiffness and thickness to produce the vibration isolation load deflection characteristics required by the machine builder or user.

The AKII Agile Fixator's basic design incorporates the well-proven adjusting mechanism and clamping nut torque retention system of the Fixator into an updated overall mount design that permits installation in any of six fundamentally different ways.

The system may be easily converted to an anchored variation if required at a later date by the simple application of one of three available anchoring techniques.



Pre-layout or core drilling is not required as the anchor holes are simply drilled through the mount base after installation. The use of the optional toggle clamp permits this to be accomplished even when overhanging machine components prevent access to the center or side anchor locations.

- No special foundation requirements
- Final installation approach may be determined on the job site
- The necessity for anchor layout drawings is eliminated
- Core drilling is eliminated (unless preferred)
- Anchored and non-anchored locations may be intermixed where necessary and are served by the same mounting system. Only one system needs to be specified

For AK Fixator options and other detailed information ask for UNISORB Fixator System Catalog.