

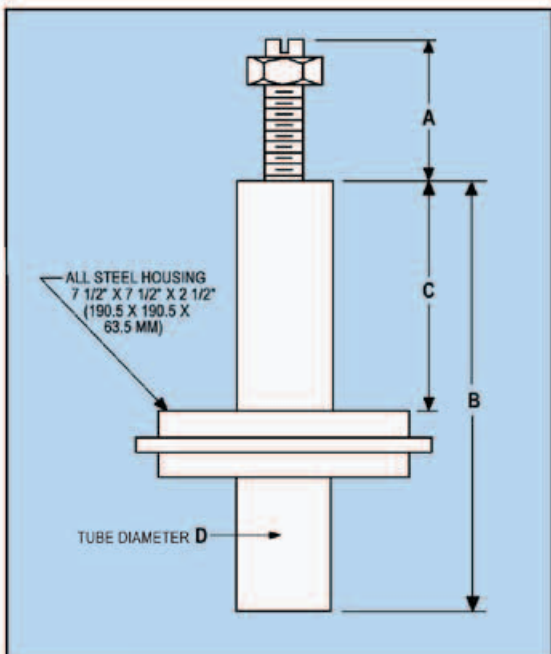
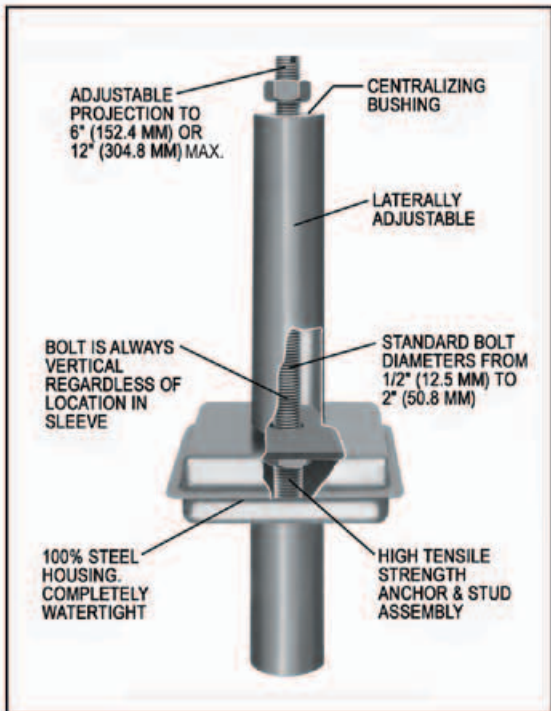
# UNISORB® JAKEBOLT® HEAVY DUTY ANCHOR BOLTS

Heavy Duty JAKEBOLTS offer a truly cost effective way to provide strong, problem-free, high quality anchors for virtually any concrete foundation/machinery application. They are designed to be hung from a template or welded directly to reinforcing steel, then cast in place during new foundation construction.

Constructed entirely of steel, the Heavy Duty JAKEBOLTS are tough, durable, and MIG welded watertight to prevent contamination of internal components during installation. Each JAKEBOLT comes supplied with a centralizing bushing which doubles as a seal and protects against contamination during grouting. JAKEBOLTS are manufactured with retractable studs to allow a "Clear Floor" condition at any time.

Anchor studs can be adjusted to project above the floor from 0" to 12" (0 mm to 304.8 mm), depending on the bolt specified for the installation. The entire internal anchor assembly can be adjusted laterally as well as vertically to compensate for normal construction variances in both hole location and machine foot thickness.

The Heavy Duty JAKEBOLT incorporates 90,000 psi (6.298 kg/cm<sup>2</sup>) tensile strength steel in the bolts. The all-steel anchor assembly is designed for service under the most severe conditions. Special versions of the Heavy Duty JAKEBOLT are available upon request by consulting UNISORB Engineering.



## SPECIFICATIONS

Model Bolt Size (Inches only)	Projection Above Floor "A"	Over-All Length "B"	Top Tube Length "C"	Tube Diameter "D"	Total Bolt Centerline Movement
	Inches	Inches	Inches	Inches	Inches
	Millimeters	Millimeters	Millimeters	Millimeters	Millimeters
1/2 x 6	0-6	20 1/4	11 1/2	2 1/2	1 3/4
	152	514	292	64	45
5/8 x 6	0-6	20 1/4	11 1/2	2 1/2	1 1/2
	152	514	292	64	38
3/4 x 6	0-6	20 1/4	11 1/2	2 1/2	1 1/2
	152	514	292	64	38
7/8 x 6	0-6	20 1/4	11 1/2	2 1/2	1 1/4
	152	514	292	64	32
1 x 6	0-6	20 1/4	11 1/2	2 1/2	1 1/4
	152	514	292	64	32
1 1/4 x 6	0-6	20 1/4	11 1/2	2 1/2	1
	152	514	292	64	25
1 1/2 x 6	0-6	20 1/4	11 1/2	2 1/2	3/4
	152	514	292	64	19
1 3/4 x 6	0-6	26 3/4	18	3 1/4	1 1/4
	152	680	457	83	32
2 x 6	0-6	26 3/4	18	3 1/4	1
	152	680	457	83	25.4
5/8 x 12	0-12	26 1/4	11 1/2	2 1/2	1 1/2
	305	667	292	64	38
3/4 x 12	0-12	26 1/4	11 1/2	2 1/2	1 1/2
	305	667	292	64	38
7/8 x 12	0-12	26 1/4	11 1/2	2 1/2	1 1/4
	305	667	292	64	32
1 x 12	0-12	26 1/4	11 1/2	2 1/2	1 1/4
	305	667	292	64	32
1 1/4 x 12	0-12	26 1/4	11 1/2	2 1/2	1
	305	667	292	64	25
1 1/2 x 12	0-12	26 1/4	11 1/2	2 1/2	3/4
	305	667	292	64	19
1 3/4 x 12	0-12	32 3/4	18	3 1/4	1 1/4
	305	832	457	83	32
2 x 12	0-12	32 3/4	18	3 1/4	1
	305	832	457	83	25